

Stainless Steel Blower Filters

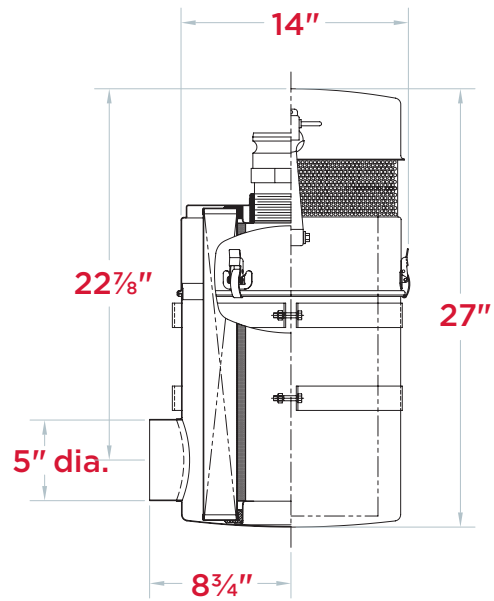
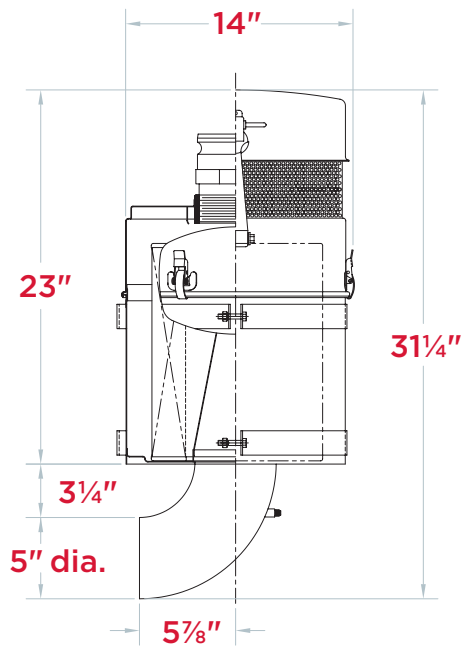
Features

- Engineered for vacuum or pressure duty service
- Complete with 4" male camlock for vacuum service
- 5" Tube connection for maximum performance
- Includes (2) stainless steel mounting brackets
- Polished stainless steel construction
- Four heavy duty clamps keep water out and allow quick access to filter element

Engineered for Blower Models

- D807, D907
- T5CDL9, T5CDL12, T5CDL13





Engineered for Blower Models

- T5CDL9, T5CDL12, T5CDL13

T5 CycloBlower

- Uses standard replacement element
GDP/N: 8507413

T5 CycloBlower kit includes

- Bare filter canister
- Camlock
- Restriction Indicator
- Hump hose
- Hose clamps
- Two stainless steel mounting brackets
- Filter element

Engineered for Blower Models

- D807, D907
- Suitable for competitive blower models

D807

- Uses standard replacement element
GDP/N: 525000207

D807 kit includes

- Bare filter canister
- Camlock
- Restriction Indicator
- Two stainless steel mounting brackets
- Filter element

**Gardner
Denver**

