

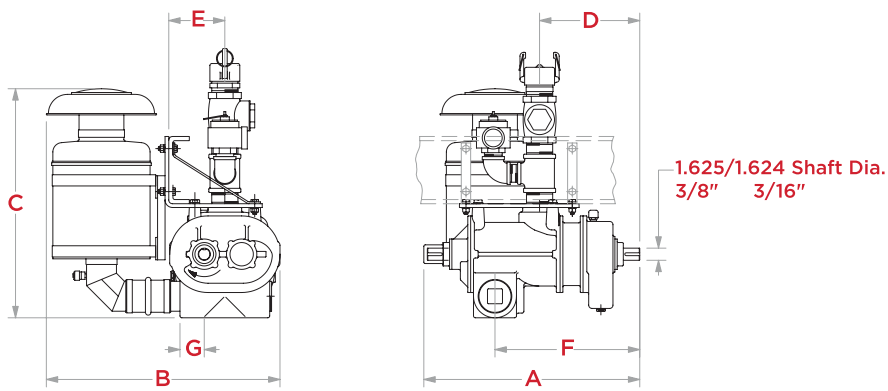
Performance & Dimensional Data

PERFORMANCE DATA: BLOWERS FOR POWER TAKE-OFF DRIVE

MODEL	RPM	PRESSURE PERFORMANCE						VACUUM PERFORMANCE						SIZE & TYPE PORTS
		12 PSIG		16 PSIG		20 PSIG		12 inHg		16 inHg		17 inHg		
		CFM	BHP	CFM	BHP	CFM	BHP	CFM	BHP	CFM	BHP	CFM	BHP	
T5CDL9L Gate Rotor Drive	750	130*	15.0					130	7.0	80	9.5			3" NPT Both Ports
	1,000	220	19.0	200*	25.5			225	9.0	175	12.5			
	1,250	307	23.0	285	32.0	270*	37.0	315	11.5	270	15.5	225*	20.0	
	1,500	395	28.0	375	36.0	356*	44.0	410	13.5	365	20.0	320*	24.0	
	1,750	482	32.5	462	42.5	444*	52.0	500	16.0	460	22.0	420*	28.0	
	2,000	570	38.0	550	49.5	535*	61.0	595	18.0	555	25.0	515*	32.0	
T5CDL12 Gate Rotor Drive	750	190	17.0					170	9.0	110	11.0			4" NPT Inlet 3" NPT Discharge
	1,000	300	24.0	275	30.0			285	12.0	230	15.0			
	1,250	410	30.0	385	39.0	355*	48.0	400	15.5	350	19.0	295*	25.0	
	1,500	525	38.0	500	48.0	470*	59.0	510	18.0	465	23.0	415*	29.5	
	1,750	640	43.0	610	57.0	580*	70.0	625	21.5	585	27.0	535*	33.5	
	2,000	750	50.0	725	66.0	695*	81.0	740	24.5	705	31.0	655*	38.0	
T5CDL12L92 Gate Rotor Drive	1,200	388	28.9	359	37.4	331*	44.8	364	14.2	311	17.9			4" NPT Both Ports
	1,800	659	44.1	630	58.2	601*	71.6	641	20.8	587	27.1	574*	36.1	
	2,500	974	64.2	946	85.9	917*	107.3	964	29.6	910	39.2	897*	51.6	
T5CDL13 Gate Rotor Drive	750	200	18.5					180	9.5	120	12.0			4" NPT Both Ports
	1,000	325	25.0	295	34.2			300	13.0	246	16.0			
	1,250	450	32.0	420	43.0	390*	55.0	425	16.5	370	20.5	325*	25.5	
	1,500	575	39.0	545	51.0	510*	63.5	545	20.0	500	24.5	450*	30.5	
	1,750	700	46.2	670	59.6	635*	72.2	670	23.5	625	29.0	575*	35.0	
	2,000	825	54.0	795	68.0	755*	81.0	790	27.0	750	33.0	700*	40.0	

Performances based on inlet air at standard temperature of 68°F, and ambient pressure of 14.7 psia and 36% relative humidity.
 * Recommended at intermittent service



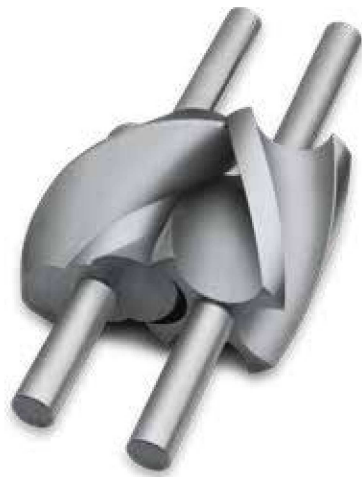


DIMENSIONS & WEIGHT: TRACTOR-MOUNTED POWER-TAKE-OFF UNITS

MODEL	DATA SHEET NUMBER	DIMENSIONS IN INCHES							WEIGHT LBS
		A	B	C	D	E	F	G	
T5CDL9L	37-2-400	25.9	31.3	30.0	13.4	7.5	16.9	3.0	330 lbs.
T5CDL12L	37-2-420	28.9	31.3	30.6	13.4	7.5	19.4	3.3	417 lbs.
T5CDL12L92	37-2-244	28.9	31.3	30.6	15.2	7.5	19.4	3.3	406 lbs.
T5CDL13L	37-2-440	28.9	31.3	30.6	14.1	7.5	19.3	3.3	376 lbs.

Performances based on inlet air at standard temperature of 68°F, and ambient pressure of 14.7 psia and 36% relative humidity. Dimensions shown in inches. Weights as approximate.

CycloBlower rotors are precision machined using state-of-the-art milling technology.



Genuine Gardner Denver Parts & Lubricants

- Maintain the Gardner Denver performance advantage and reliability with genuine GD replacement parts
- Protect your Gardner Denver investment with AEON® PD lubricants formulated for all blowers in demanding applications
- Now available AEON® PD-XD specifically designed for high ambient and/or high discharge temperature conditions

Service Commitment

- International organization of factory-trained service personnel supported by a world wide distribution network of trained professionals
- Factory/remanufacturing program assures maximum durability at minimum cost